

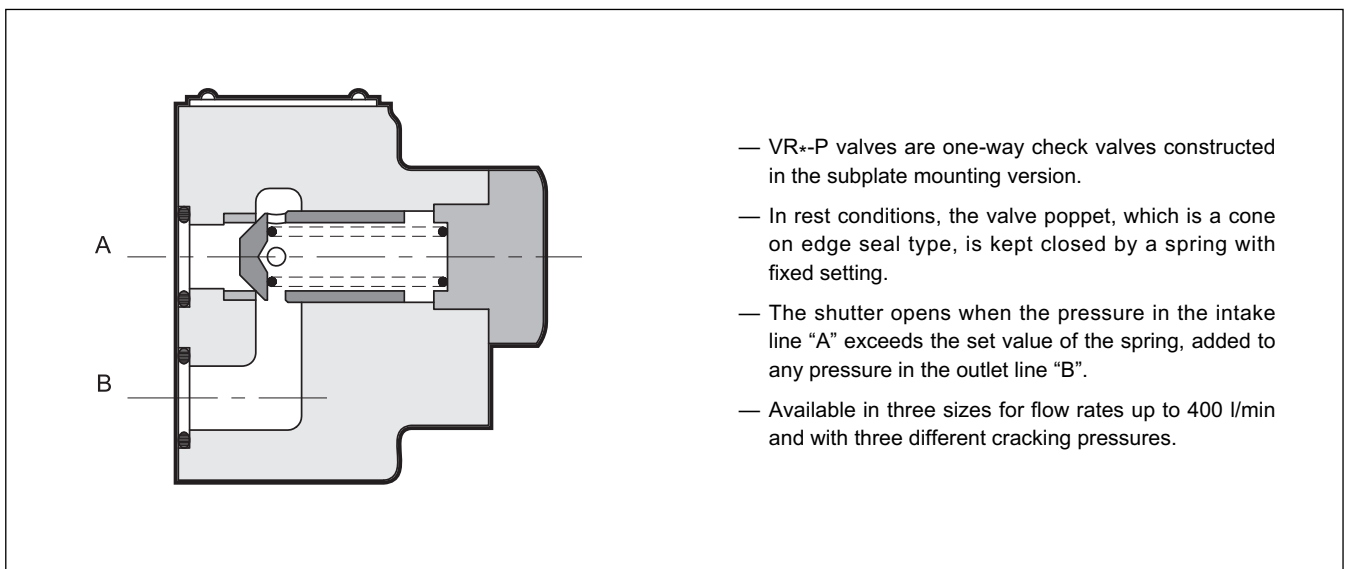


VR*-P CHECK VALVES

SUBPLATE MOUNTING

p max (see table of performances)
Q max (see table of performances)

OPERATING PRINCIPLE



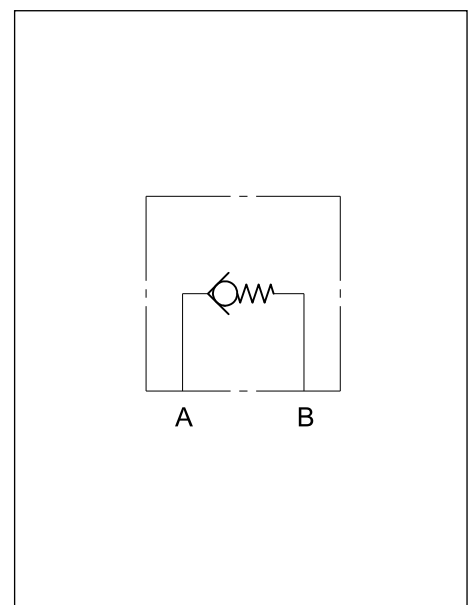
- VR*-P valves are one-way check valves constructed in the subplate mounting version.
- In rest conditions, the valve poppet, which is a cone on edge seal type, is kept closed by a spring with fixed setting.
- The shutter opens when the pressure in the intake line "A" exceeds the set value of the spring, added to any pressure in the outlet line "B".
- Available in three sizes for flow rates up to 400 l/min and with three different cracking pressures.

TECHNICAL SPECIFICATIONS

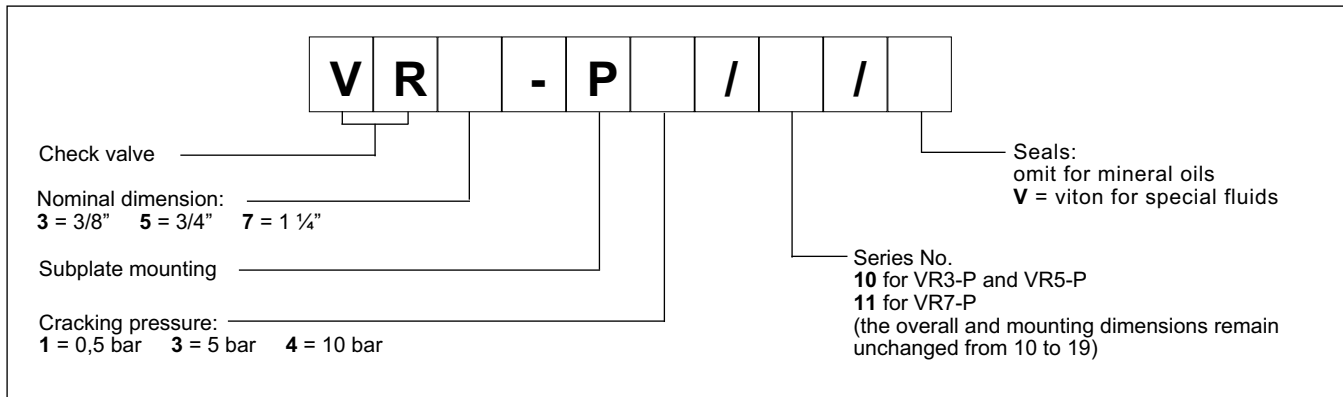
| Valve code | Nominal dimension | Maximum flow rate [l/min] | Mass [kg] | Max. operating pressure [bar] |
|----------------|-------------------|---------------------------|-----------|-------------------------------|
| VR3 - P | 3/8" | 100 | 2,3 | 350 |
| VR5 - P | 3/4" | 200 | 4,8 | 350 |
| VR7 - P | 1 1/4" | 400 | 9 | 250 |

| | | |
|----------------------------|---|-----------|
| Ambient temperature range | °C | -20 / +50 |
| Fluid temperature range | °C | -20 / +80 |
| Fluid viscosity range | cSt | 10 ÷ 400 |
| Fluid contamination degree | According to ISO 4406:1999 class 20/18/15 | |
| Recommended viscosity | cSt | 25 |

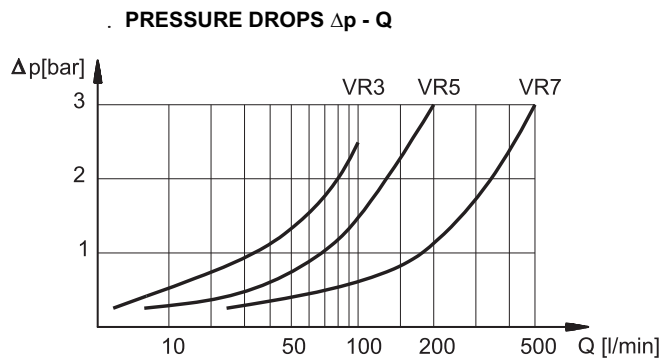
HYDRAULIC SYMBOL



1 - IDENTIFICATION CODE



2 - CHARACTERISTIC CURVES (values obtained with viscosity 36 cSt at 50°C)

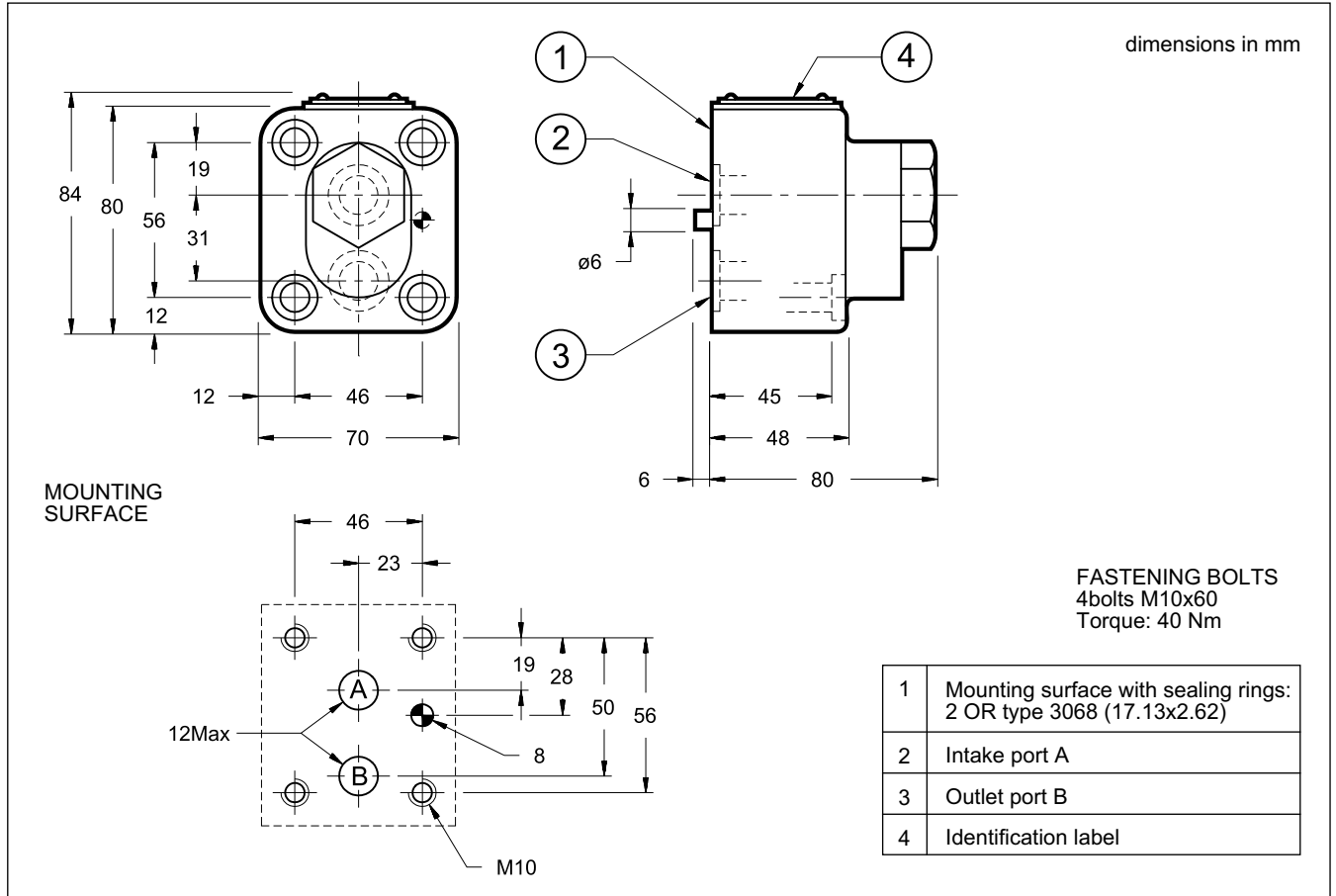


NOTE: Add the cracking pressure to the values shown in the diagram.

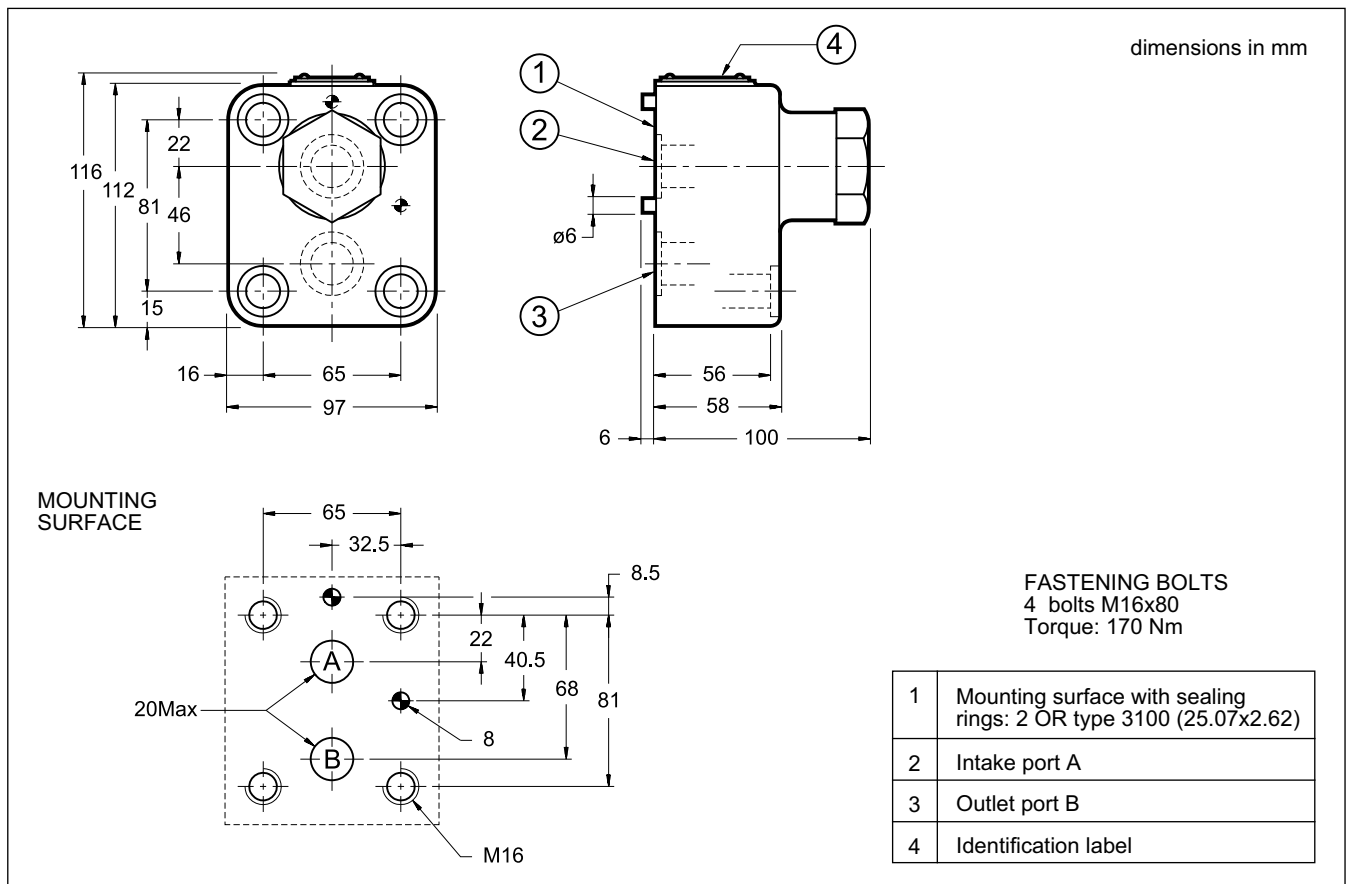
3 - HYDRAULIC FLUIDS

Use mineral oil-based hydraulic fluids HL or HM type, according to ISO 6743-4. For these fluids, use NBR seals. For fluids HFDR type (phosphate esters) use FPM seals (code V). For the use of other kinds of fluid such as HFA, HFB, HFC, please consult our technical department. Using fluids at temperatures higher than 80 °C causes a faster degradation of the fluid and of the seals characteristics. The fluid must be preserved in its physical and chemical characteristics.

4 - VR3-P OVERALL AND MOUNTING DIMENSIONS



5 - VR5-P OVERALL AND MOUNTING DIMENSIONS



6 - VR7-P OVERALL AND MOUNTING DIMENSIONS

