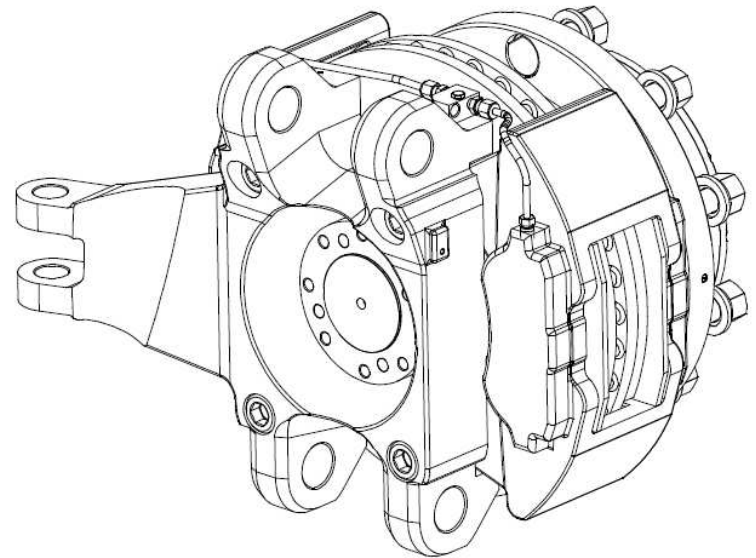


# Industry

---

Our long experience in this specific job allows us to recognize and to solve problems bound to simplification of subjection of the part on manufacturing machine or alleviation of intervention of the operator, aimed to cost and dead time reduction



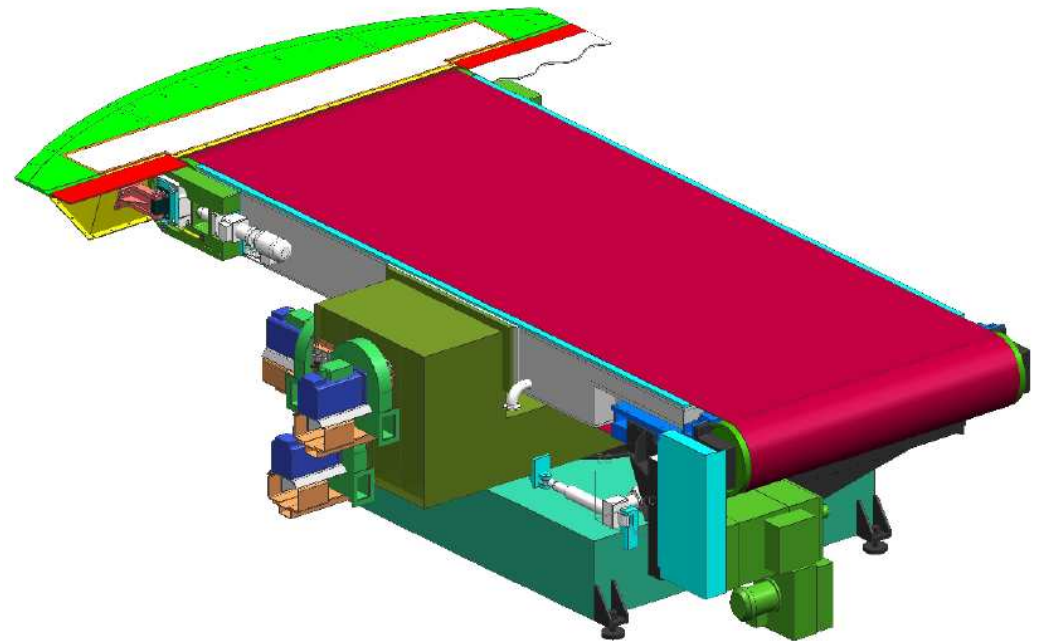
# Industry

## Production Methods

- ✓ MACHINES: Design of special machines and plants, automatic and not automatic for handling, loading, and dosage, pack up, assembly and machining, surface treatment.



*Extrusion machine*

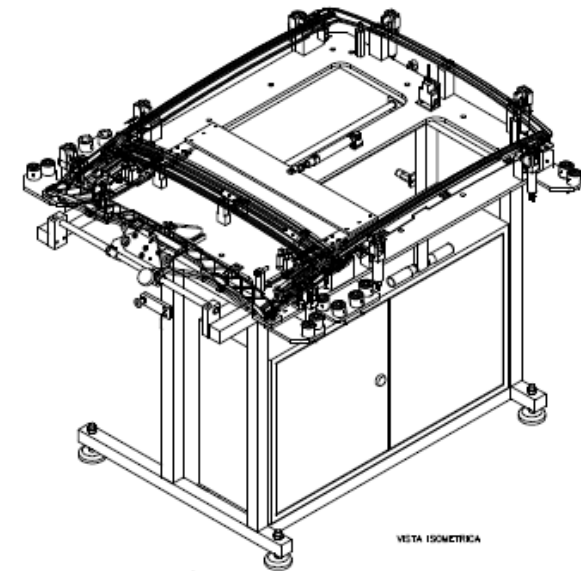
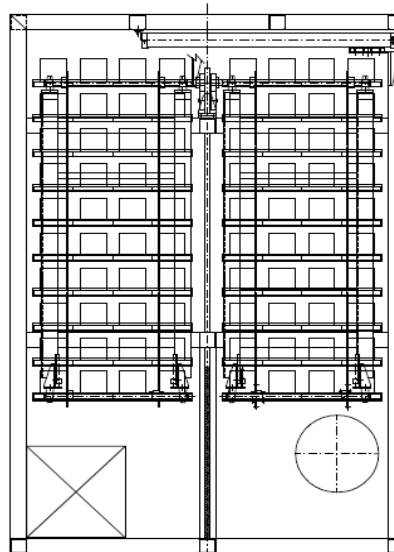
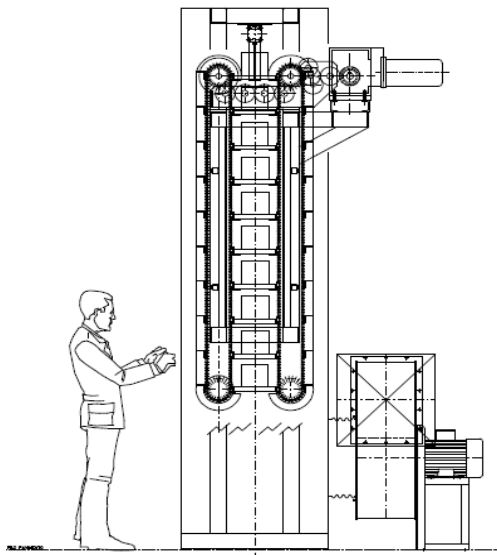


*Special Conveyor for ground effect verification in wind tunnel*

# Industry

## Production Methods

- ✓ **FIXTURES** : special machines for mechanical machining, assembly, inspection, subjection masks, lifting and transportation devices



*Fixture for assembly on car roof*

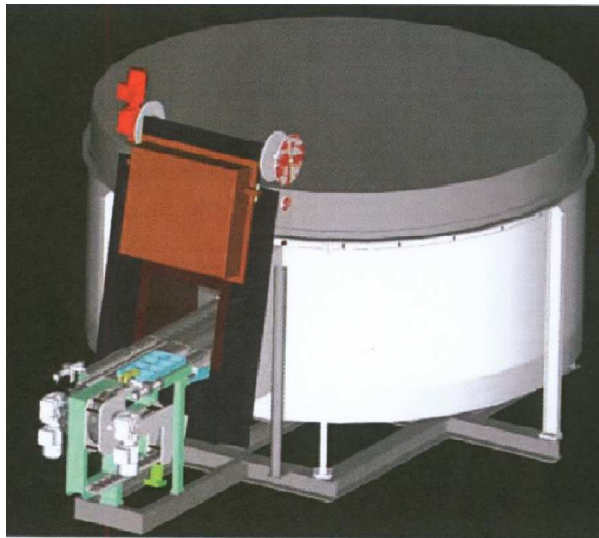
*In line system for cooling of surface treated parts by means of vertical conditioned tunnel*

# Industry

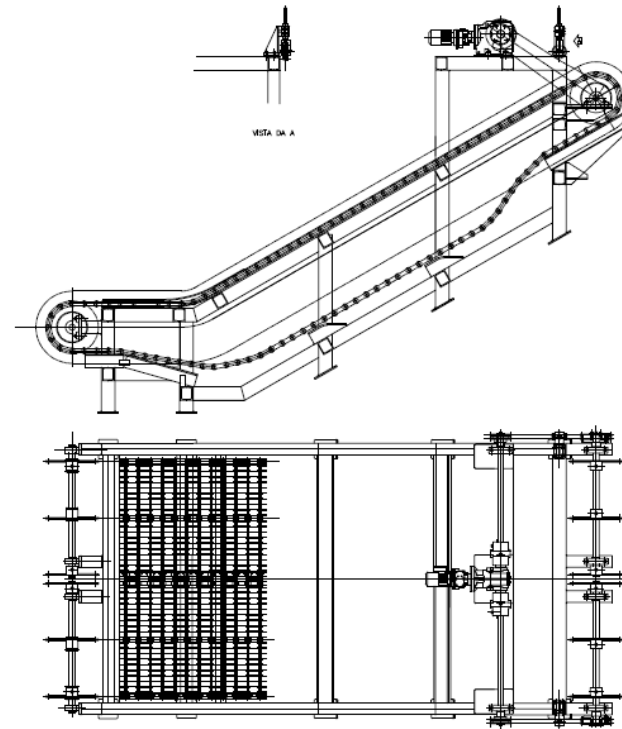
## Production Methods

---

- ✓ PLANTS: plants for storing, for transport or transfer, lifting plants, automatic and not automatic, - ovens for treatment on castings and various parts



*Rotating oven with automatic loading and unloading device*



*Special Chain conveyor for heat treatment plant*

# Industry

## Industrialization

Among the phases of industrial process, S.P.I. has developed skills mainly in Industrialization, Study of Production Criteria

- ✓ Complete units design
- ✓ Drafting and 3D modelling of parts constituting an assembly
- ✓ Feasibility analysis
- ✓ Production cycle analysis
- ✓ Determination of cycle time
- ✓ Drafting of manufacturing cycle with operation sheets
- ✓ Drafting of PART PROGRAM for NC machines management
- ✓ Studying of dedicated fixture for single phases
- ✓ Studying of gauges and comparisons for measurement of dimensions.
- ✓ Design of test benches and instrumentation.

S.P.I. uses a productive partnership with Architect's office **D+designstudio**, made up of Professional and successful architects and designers.

- ✓ Support and advice to industrial design activity: advice for feasibility analysis, technical solution analysis, useable materials analysis, producibility analysis, cost analysis.
- ✓ Engineering : product engineering, detailed development of technical solutions used, structural calculations, three-dimensional modelling and parts development, production methods development.
- ✓ Prototyping : technical consultation during prototyping phase, up to the complete elimination of defects or design freezing.
- ✓ Pilot production: technical assistance during whole pre-production phase.

# Railways

---

More than 25 years of experience in engineering and developing new solutions together with leader Companies of Railway Industry.

- ✓ Study of Braking Plants
- ✓ Study of Compressors for air production on board
- ✓ Actuating Pneumatic Control Units: pneumatic subjection unit
- ✓ Structural items of boogie: structures, frames, supports
- ✓ Automatic doors: design of devices for handling of internal doors

# Studio Progettazioni Industriali

## Contact Us

---

For further information about our Company please visit the  
web site: [www.spi-tech.it](http://www.spi-tech.it)

or send an e-mail: [spitech@spi-tech.it](mailto:spitech@spi-tech.it)

or contact us

+39 0119003135 / +39 0119003145

Thank you!